

# BHI611ES

**gorenje**  
Life Simplified



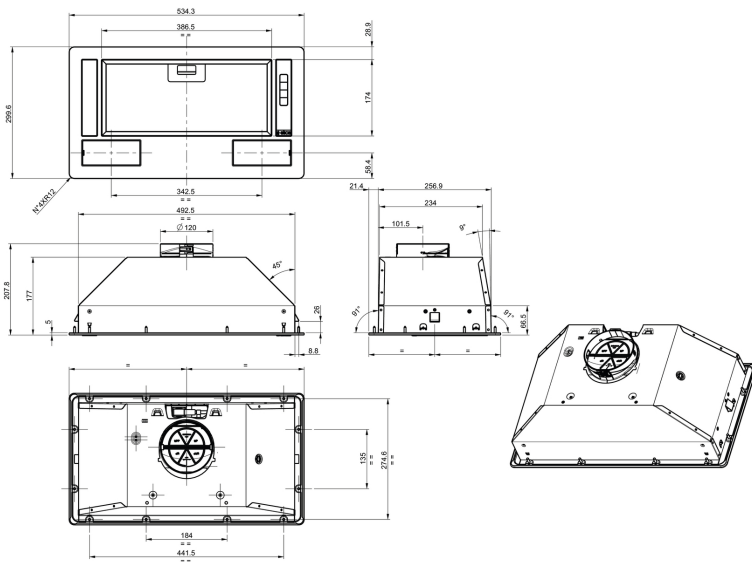
 LedLight

Re-circulating hoods

 Noise level

Useful tips

What capacity do you need?



CC - Built in

Venting with air extraction or recirculation

Energy class: **D**

Material of housing/chimney: **varnished steel**

Colour of housing/chimney: **grey**

Lightning efficiency class: **C**

Grease filtering efficiency class: **D**

Fluid dynamic efficiency class: **E**

Maximum extraction rate by extraction operation: **370 m<sup>3</sup>/h**

Maximum extraction rate by recirculation operation: **140 m<sup>3</sup>/h**

Venting tube diameter: **12 cm**

Air flow by extraction version, step 1: **290 m<sup>3</sup>/h**

Air flow by extraction version, step 2: **340 m<sup>3</sup>/h**

Air flow by extraction version, step 3: **370 m<sup>3</sup>/h**

Mechanic control

Control setting: **Switch**

Number of speed positions: **3**

Lamp type: **LED**

On/off light switch

Number of lights: **2**

Power of lights: **6 W**

Filter material: **Aluminium**

Coal filter code (optional as separate purchase): **416912**

Washable grease filter

Number of motors: **1**

Max. noise level: **67 dB(A)re 1 pW**

Height: **208 mm**

Annual energy consumption: **70.7 kWh**

Dimensions (W×H×D): **53.4 × 20.8 × 30 cm**

Dimensions of packed product (W×H×D): **58 × 24 × 32.4 cm**

Net weight: **4.8 kg**

Gross weight: **5.9 kg**

Connected load: **146 W**

Product code: **733140**

EAN code: **3838782176388**



<https://eg.gorenje.com/en/product/733140>